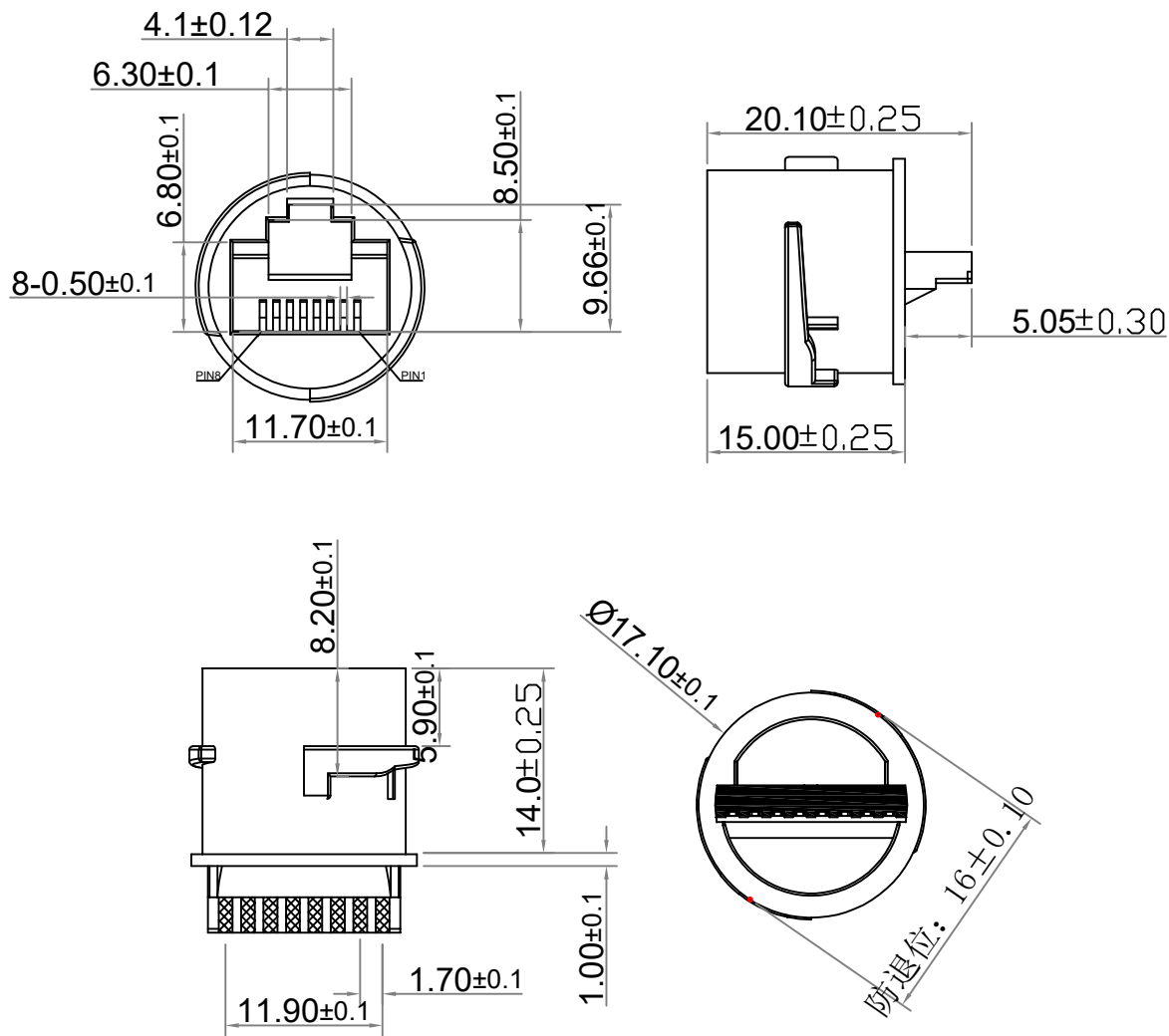


記號 MARK	ECN NO.	日期 DATE	修改 DRAW	核准 APPROVE
1	物料编码更改	2022/4/15	丁敏	



SPECIFICATION NOTES:

ELECTRICAL:

- VOLTAGE RATING: 125 VAC RMS
- CURRENT RATING: 1.5 AMP
- CONTACT RESISTANCE: 20mΩ MAX.
- INSULATION RESISTANCE: 1000MΩ MIN. AT500V DC.
- DIELECTRIC STRENGTH: 1000 V AC OR 1500V DC RMS AT 0.5mA 50 Hz / 60 Hz FOR 1MINUTE

MECHANICAL:

- HOUSING: PBT, HB
- CONTACT: PHOSPHOR BRONZE T=0.25MM
- PLATING: GOLD PLATING AT CONTACT AREA, MATTE TIN AT TAIL 100U MIN., NICKEL 30U MIN. OVER ALL.
- OPERATING LIFE: 750 CYCLES MIN.
- MATING/UNMATING FORCE: 30N/3.06KGf MAX.
- RETENTION STRENGTH: 50N OR 30N MIN. FOR 60S±5S

ENVIRONMENTAL:

- STORAGE: -40°C TO +85°C RELATIVE HUMIDITY<80%
- GUARANTEE PERIOD: 12 MONTHS
- OPERATION: -40°C TO +85°C

Coorle Technology

品名规格 DESCRIPTION	RJ45 圆形防水母座 8针 A款	页次 SHEET	1/1
产品编号 PRODUCT NO		单位 UNIT	mm
		比例 SCALE	1:1
		版本 EDITI	A/0
DIMENSION IN mm (Inch) TOLERANCE UNLESS OTHERWISE SPECIFIED	第三视角法 THIRD ANGLE PROJECTION	制图 DRAWN	日期 DATE
x.xx ±0.2	ANGLES	<i>Jack</i>	2020.9.7
x.xx ±0.10	X:±0°	核对 CHECK	日期 DATE
x.xxx ±0.050	X:±0.0°	<i>Jack</i>	2020.9.7
		批准 APPRO	日期 DATE
		<i>Michael</i>	2020.9.7

胶壳	<input checked="" type="checkbox"/> PBT	<input type="checkbox"/> LCP	<input type="checkbox"/> PA66	1
金片 (PIN针) Contacts	<input type="checkbox"/> 黄铜 Brass	<input checked="" type="checkbox"/> 磷铜 Phosphor copper		8
	<input type="checkbox"/> G/F"	<input checked="" type="checkbox"/> 1u"	<input type="checkbox"/> 3u"	<input type="checkbox"/> 6u"
	<input type="checkbox"/> 15u"	<input type="checkbox"/> 30u"	<input type="checkbox"/> 50u"	<input type="checkbox"/> OTHER